



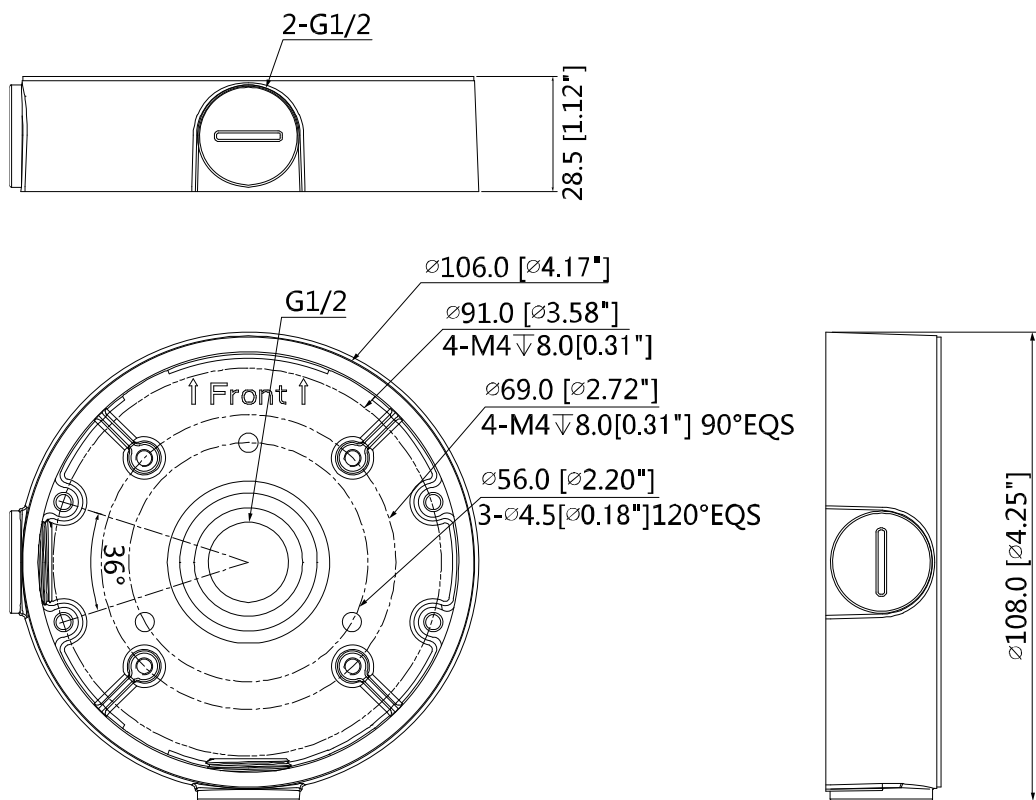
## Features

- Aesthetic design
- Material: aluminum
- Junction box

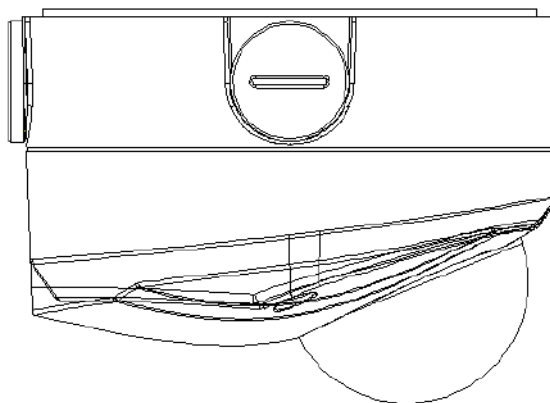
## Technical Specifications

<b>Model</b>	JBF-AS-FPA-3
<b>General</b>	
Material	Aluminum
Dimension	Φ108.0mmx28.5mm (Φ4.25"x1.12")
Inch Thread	M20(G1/2")
Load Bearing	1.0kg(2.2lb)
Weight	0.16kg(0.35lb)
Color	White
Operating Temperature	-40°C ~ +60°C (-40°F ~ +140°F)
Humidity	<90% RH
Applicable Model	JBF-AS-4MP-IR

## Dimensions (mm/inch)



## Application



## Package Information

- Junction box \*1
- M4x10 screw \*4
- ST4x25 screw \*3
- Plastic anchor: 3
- Water joint \*1
- Wrench \*1