



Features

- Pole mount bracket
- Material: SECC & SUS304
- Aesthetic design

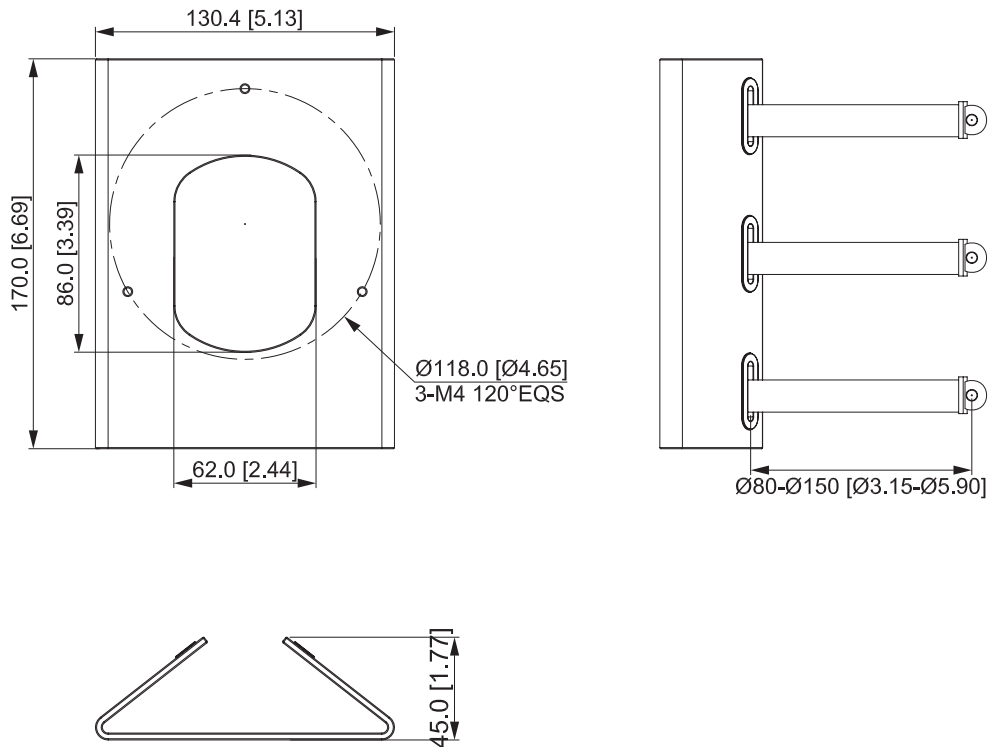
Technical Specification

Model JBF-AS-FPA15

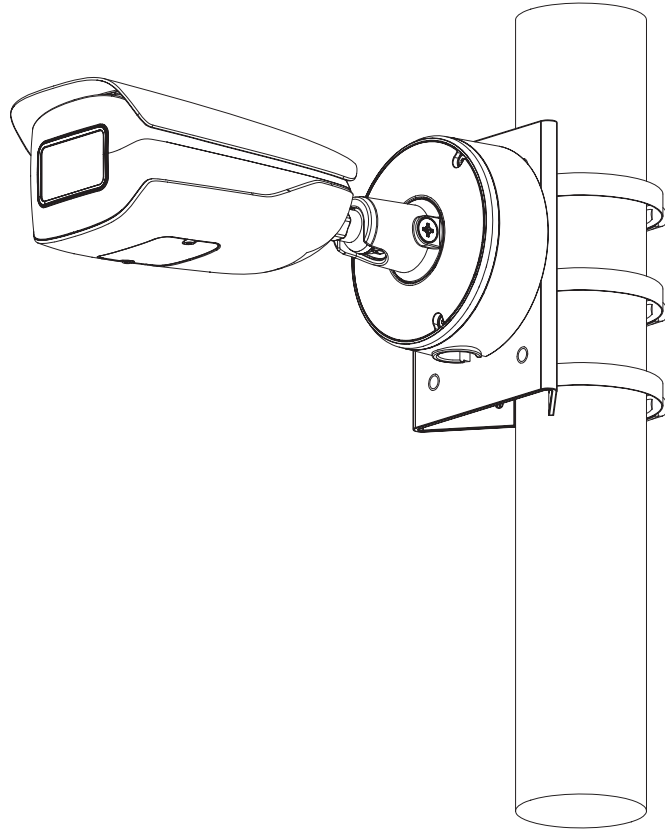
General

Material	SECC & SUS304
Dimension(WxHxD)	130.4mmx170mmx45mm (5.13"x6.69"x1.77")
Mast Diameter	φ80~150mm(φ3.15"~5.91")
Pipe Thread	N/A
Operating Temperature	-40 °C ~+60 °C (-40 °F ~+140 °F)
Humidity	0~90% RH
Load Bearing	7kg(15.4lb)
Weight	0.85kg(1.87lb)
Applicable Model	JBF-AS-8MP-IR

Dimension(mm/inch)



Application



Package Information

- Pole mount bracket *1
- M4 screw *3
- Wrench *1
- 80~150mm metal hoop: 3