



### Features

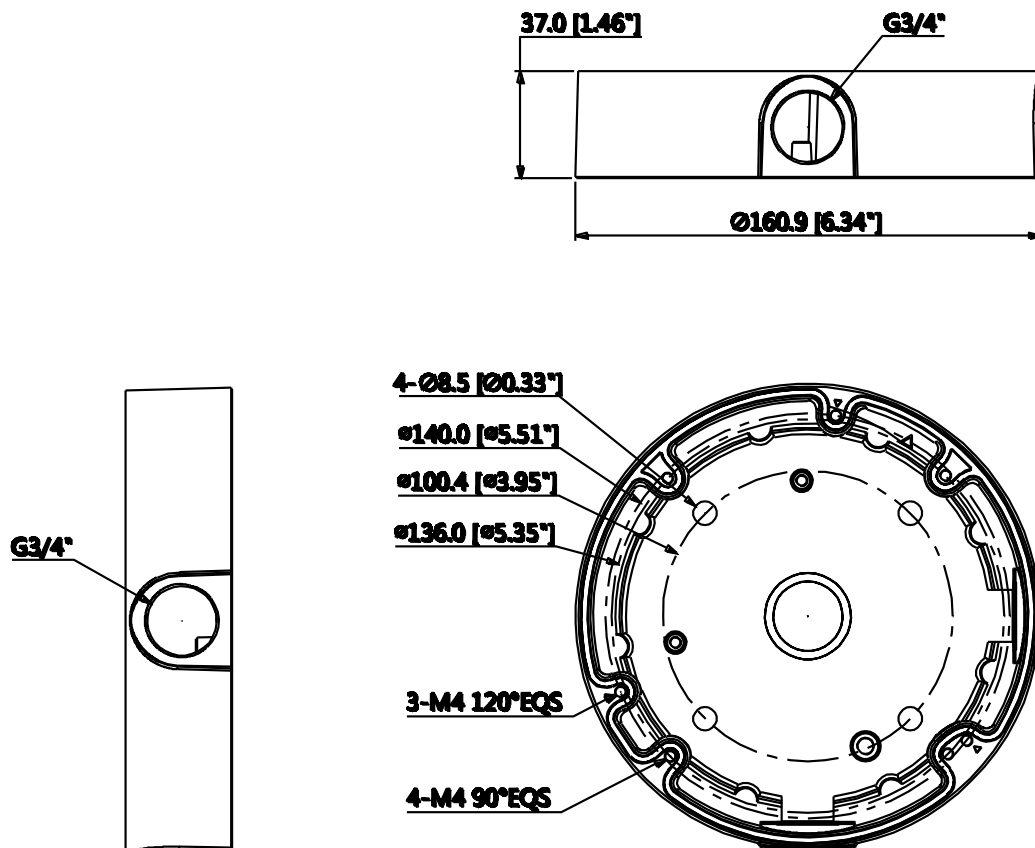
- Material: aluminum
- Water-proof junction box
- Aesthetic design
- Safety rope hook attached, secure and reliable

# JBF-AS-FPA3

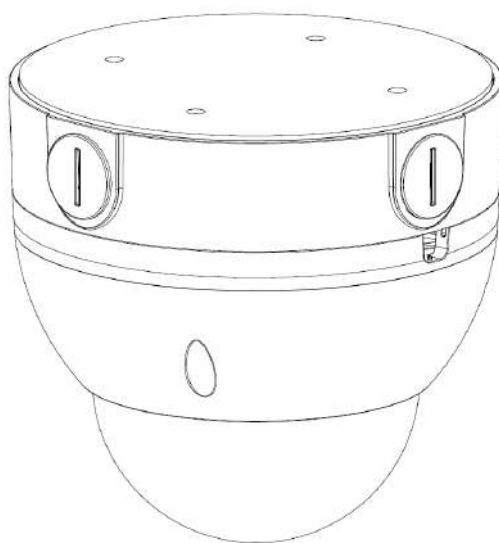
## Technical Specifications

<b>Model</b>	JBF-AS-FPA3
<b>General</b>	
Material	Aluminum
Dimension	Φ161x37mm (Φ6.34"x1.46")
Inch Thread	G3/4"
Weight	0.48kg(1.06lb)
Load Bearing	3.0kg(6.61lb)
Color	White
Operating Temperature	-40°C~+60°C(-40°F ~+140°F)
Humidity	<90% RH
Applicable Model	JBF-AS-5MP-DOME

## Dimensions (mm/inch)



## Application



## Package Information

- Water-proof junction box \*1
- M4x14 screw \*4
- Plastic anchor \*4
- ST6x45 screw \*4
- Wrench \*1
- Safety rope \*1