



Features

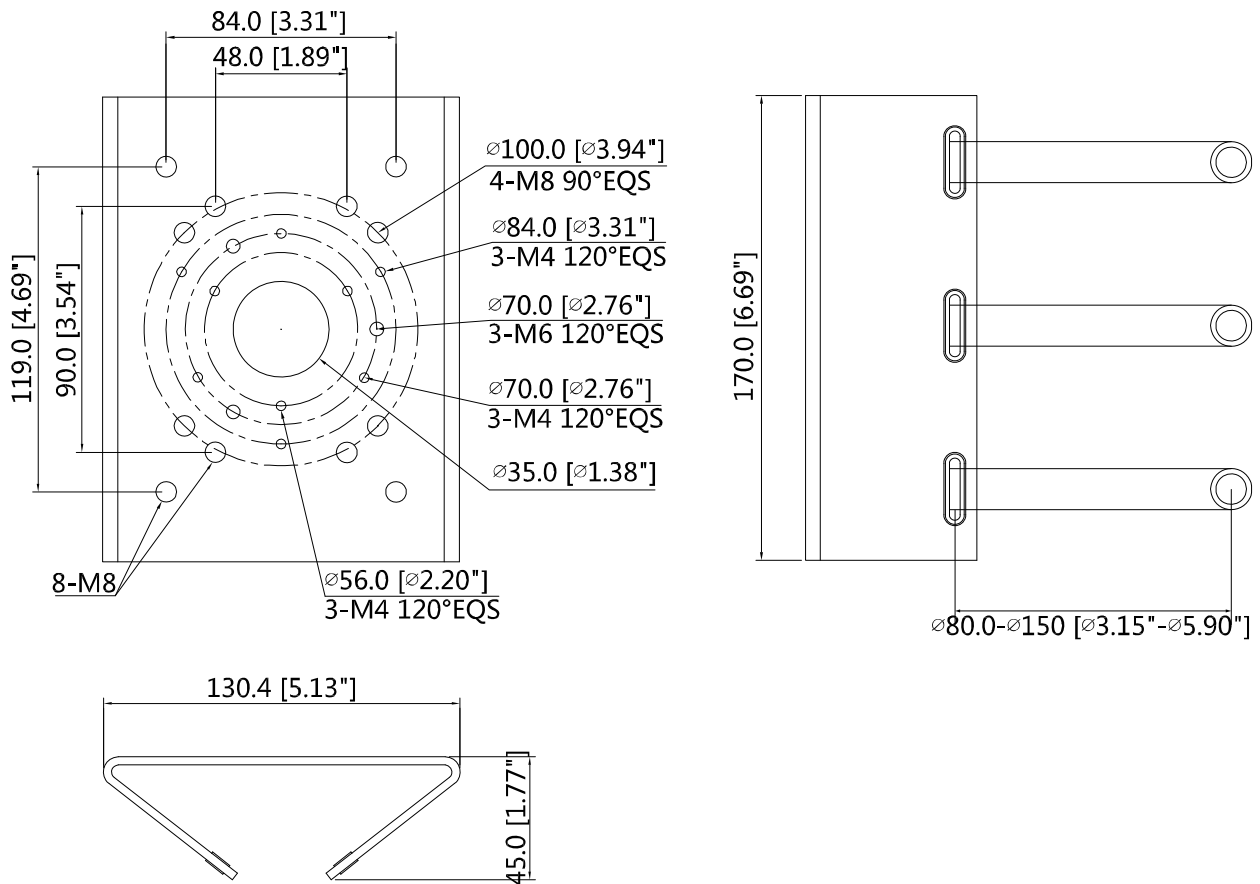
- Material: SECC & SUS304
- Pole mount bracket
- Aesthetic design

JBF-AS-FPA5

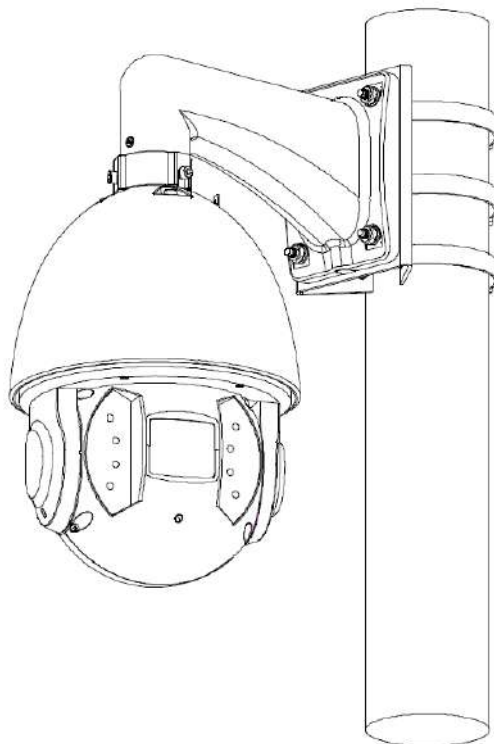
Technical Specifications

Model	JBF-AS-FPA5
General	
Material	SECC & SUS304
Dimension(WxHxD)	130.4mmx170mmx45mm (5.13"x6.69"x1.77")
Mast Diameter	φ80~150mm(φ3.15"~5.91")
Pipe Thread	N/A
Operating Temperature	-40°C ~+60°C (-40°F ~+140°F)
Humidity	0~90% RH
Load Bearing	10kg(22.05lb)
Weight	1.1kg(2.43lb)
Applicable Model	JBF-AS-2MP-PTZ, JBF-AS-2MP-PTZ-2

Dimensions (mm/inch)



Application



Package Information

- Pole mount bracket *1
- M8x25 screw *4
- Wrench *1
- 80~150mm metal hoop: 3