



## Features

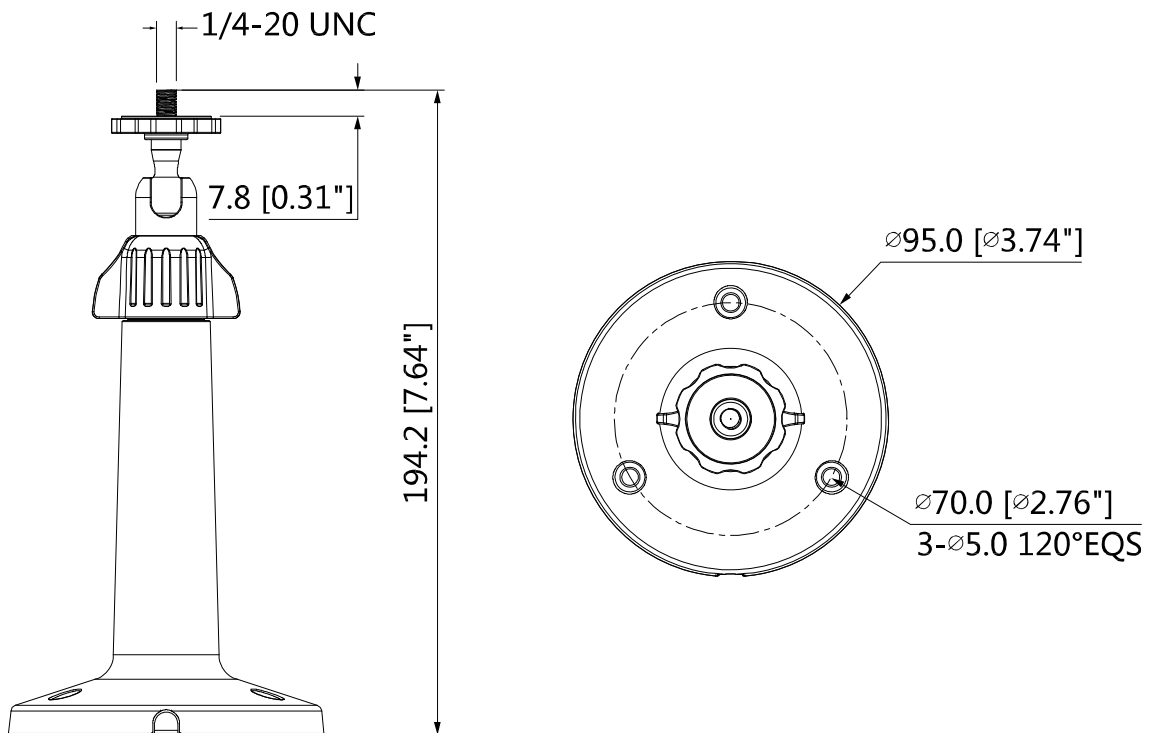
- Aesthetic design
- Wall mount/plane mount/ceiling mount bracket
- Material: aluminum

# JBF-AS-FPB11W

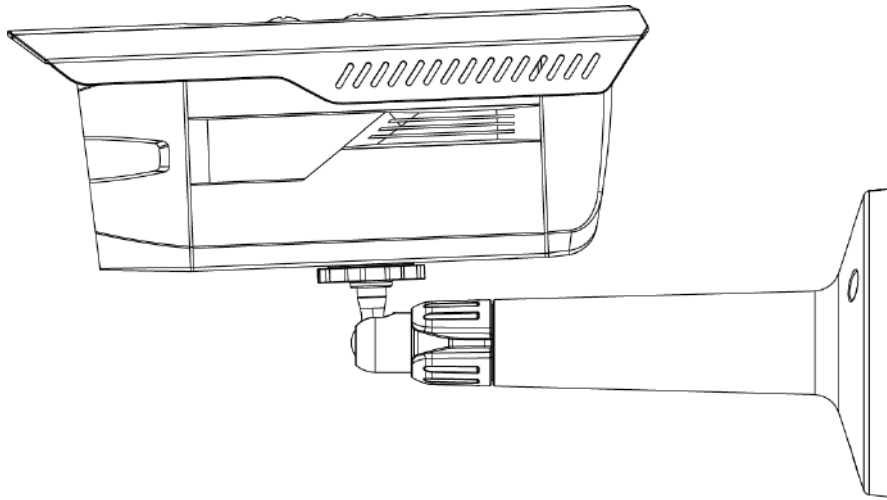
## Technical Specifications

<b>Model</b>	JBF-AS-FPB11W
<b>General</b>	
Material	Aluminum
Dimension	φ95mmx194.2mm (φ3.74"x7.64")
Pipe Thread	1/4"-20 UNC
Weight	0.18kg(0.4lb)
Load Bearing	1kg(2.2lb)
Color	White
Operating Temperature	-40°C~+60°C(-40°F~+140°F)
Humidity	<90% RH
Applicable Model	JBF-AS-5MP-BNC, JBF-AS-8MP-IPC

## Dimensions (mm/inch)



## Application



## Package Information

- Wall mount bracket \*1
- ST4 screw \*3
- Plastic anchor \*3