



## Features

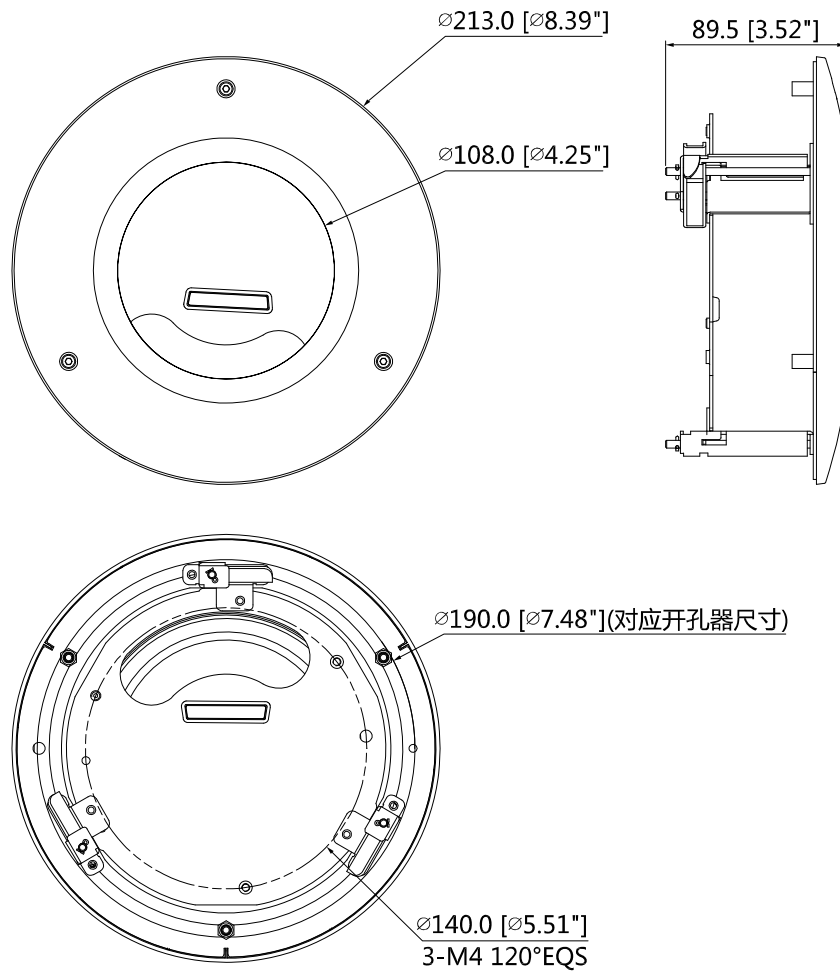
- Aesthetic design
- In-ceiling Mount Bracket
- Material: SECC & PC

# JBF-AS-FPB21C

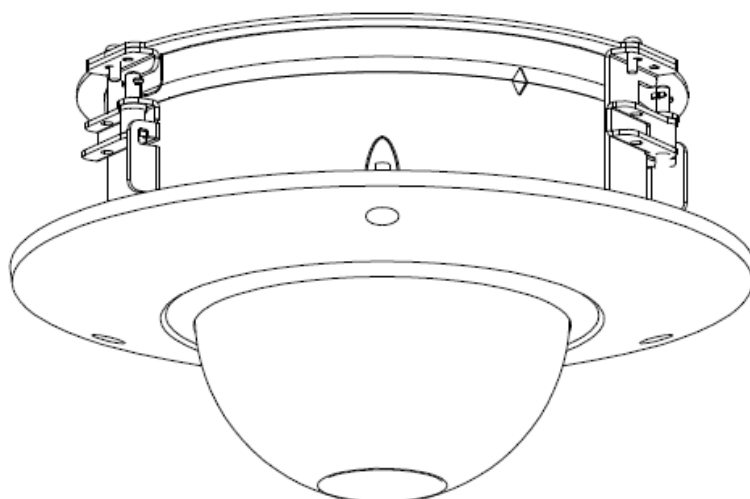
## Technical Specifications

<b>Model</b>	JBF-AS-FPB21C
<b>General</b>	
Material	SECC & PC
Dimension	Φ213mmx89.5mm (Φ8.39"x3.52")
Inch Thread	G3/4"
Operating Temperature	-40°C~+60°C (-40°F ~+140°F)
Humidity	0~90% RH
Load Bearing	1.5kg (3.31lb)
Weight	0.61kg (1.34lb)
Color	White
Applicable Model	JBF-AS-5MP-DOME

## Dimensions (mm/inch)



## Application



## Package Information

- In-ceiling mount bracket \*1
- M4 screw \*3
- Wrench \*1