



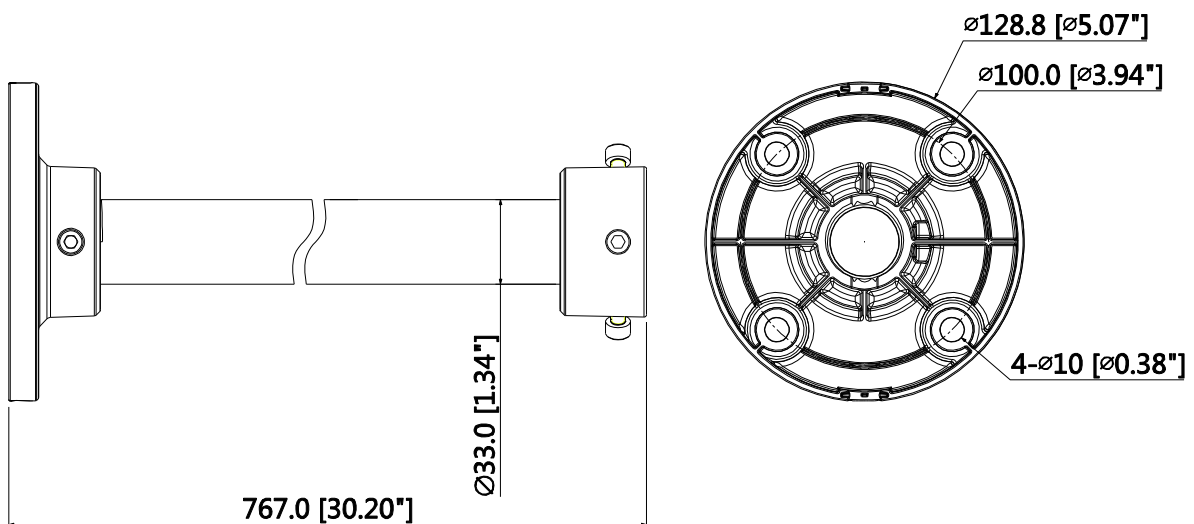
Features

- Neat & Integrated design.
- Ceiling mount bracket.
- Material: Aluminum.

Technical Specifications

Model	JBF-AS-FPB22
General	
Material	Aluminum
Dimension	Φ128.8mmx767.0mm(Φ5.07"x30.2")
Weight	0.9kg(1.98lb)
Load Bearing	2kg(4.41lb)
Color	White
Operating Temperature	-40°C ~60°C(-40°F ~140°F)
Humidity	<90% RH
Applicable Model	JBF-AS-4MP-IR

Dimensions (mm/inch)



JBF-AS-FPB22

Application



Package Information

- Ceiling mount Bracket *1
- S5.0 Wrench *1