



- Aluminum alloy material
- Matched with particular cameras, beautiful and elegant designed



Scene

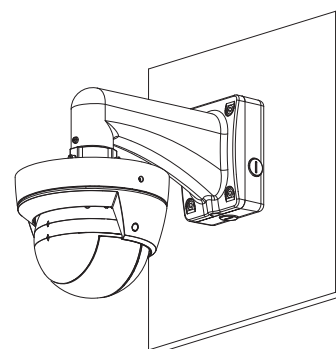
Suitable for camera mounting with operating temperature from -40°C to $+60^{\circ}\text{C}$ (-40°F to $+140^{\circ}\text{F}$) and relative humidity less than 90%.

Technical Specification

Performance

Model	JBF-AS-FPB33W
Material	Aluminum alloy
Dimensions	255.0 mm \times 115.0 mm \times 160.0 mm (10.04" \times 4.53" \times 6.30") (L \times W \times H)
Net Weight	0.66 kg (1.46 lb)
Load Bearing	7.0 kg (15.43 lb)
Operating Temperature	-40°C to $+60^{\circ}\text{C}$ (-40°F to $+140^{\circ}\text{F}$)
Operating Humidity	<90% (RH)
Color	Silver gray
Applicable Camera	JBF-AS-4X2MP-DOME

Installation



Dimensions (mm/inch)

