



- Aluminum alloy material
- Matched with particular cameras, beautiful and elegant designed



Aesthetic Design



Made of Aluminum



Easy Installation

### Scene

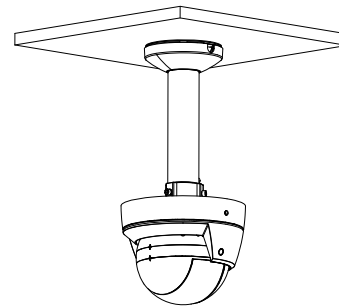
Suitable for camera mounting with operating temperature from  $-40^{\circ}\text{C}$  to  $+60^{\circ}\text{C}$  ( $-40^{\circ}\text{F}$  to  $+140^{\circ}\text{F}$ ) and relative humidity less than 90%.

### Technical Specification

#### Performance

Model	JBF-AS-FPB3SG
Material	Aluminum alloy
Dimensions	$\Phi 133.6 \text{ mm} \times 235.5 \text{ mm}$ ( $\Phi 5.26" \times 16.54"$ ) (L x W x H)
Net Weight	0.78 kg (1.72 lb)
Load Bearing	7.0 kg (15.43 lb)
Operating Temperature	$-40^{\circ}\text{C}$ to $+60^{\circ}\text{C}$ ( $-40^{\circ}\text{F}$ to $+140^{\circ}\text{F}$ )
Operating Humidity	<90% (RH)
Color	Silver gray
Applicable Camera	JBF-AS-4X2MP-DOME

### Installation



### Dimensions (mm/inch)

