



Features

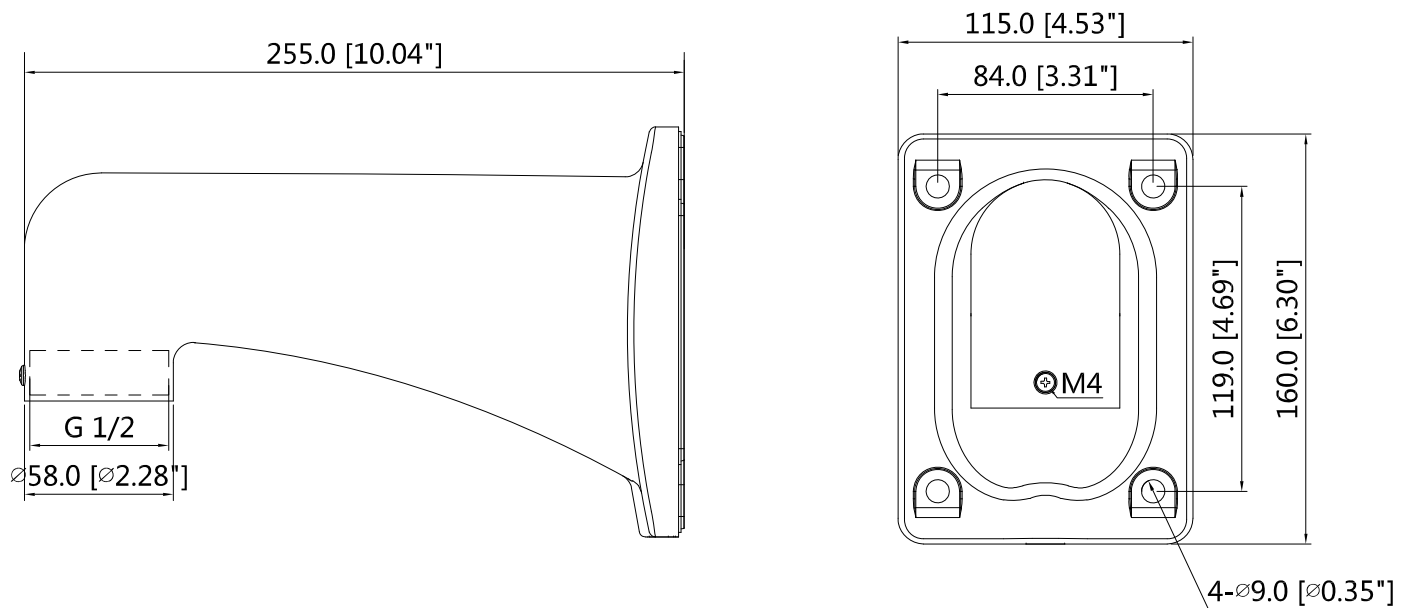
- Aesthetic design
- Wall mount bracket
- Material: aluminum

JBF-AS-FPB3W

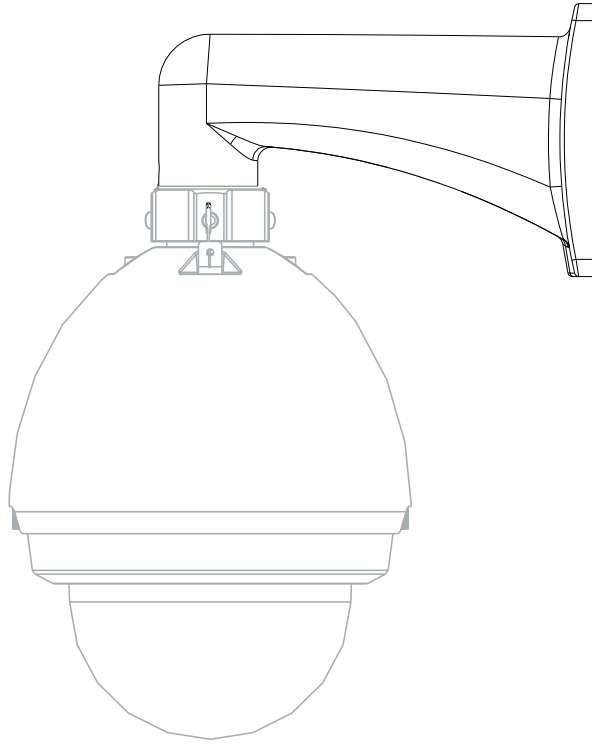
Technical Specifications

Model	JBF-AS-FPB3W
General	
Material	Aluminum
Dimension(WxHxD)	115mmx160mmx255mm (4.53"x6.3"x10.04")
Weight	0.66kg(1.46lb)
Load Bearing	7kg(15.43lb)
Color	White
Operating Temperature	-40°C ~ +60°C (-40°F ~ +140°F)
Humidity	<90% RH
Applicable Model	JBF-AS-4X5MP-DOME

Dimensions (mm/inch)



Application



Package Information

- Wall mount bracket *1