



Features

- 14" housing, provides all-weather protection for box cameras and lens;
- All-aluminum shell design, IP67, IK10, 14" housing with different function modules: Built-in heating and cooling system, windows adopt water-proof films, 0-100m IR, built-in PoE module and support remote control of IR light and wiper function by RS485;
- Aesthetic design.

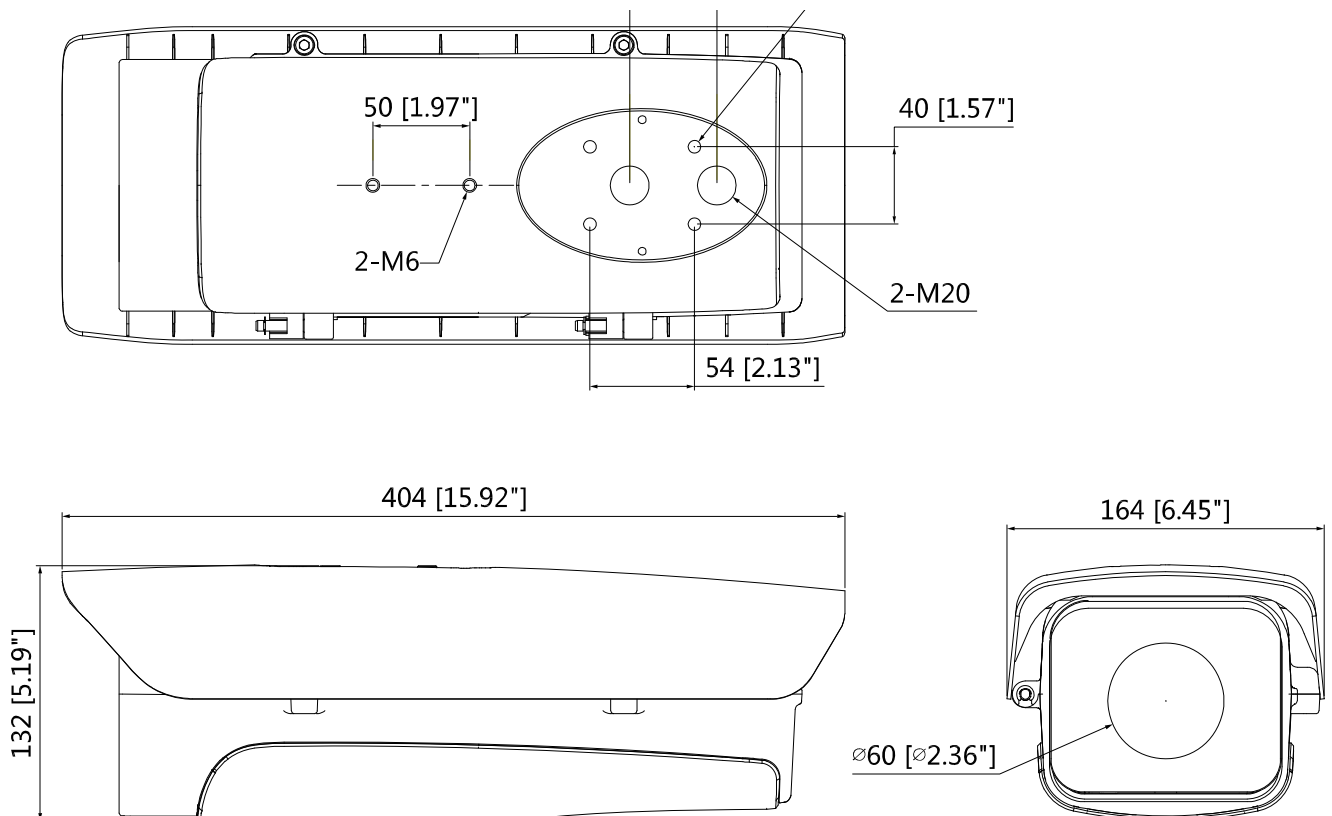
Technical Specifications

Model	JBF-AS-FPHW	
General		
Inside Dimension (LxWxH)	215x90x83mm (8.46"x3.54"x3.27")	
Window Dimension		
Operating Temperature	Set	-30°C ~+60°C (-22°F ~+140°F)
	Heater	N/A
	Cooler	N/A
Power Supply	DC12V, AC24V	
Power Consumption (without camera)	N/A	
Environmental		
Operating Temperature	-30°C ~60°C (-22°F ~+140°F)	
Humidity	<90% RH	
Ingress Protection	IP67	
Vandal Resistance	IK10	
Corrosion Protection	N/A	
Construction		
Material	Aluminum(case)&PC(others)	
Dimension(LxWxH)	404mmx164mmx132mm(15.91"x6.46"x5.2")	
Weight	2.5kg(5.51lb)	
Others		
Certification	CE, FCC, ICES	
Applicable Model	Please see "Accessory Selection"	

Applicable model

JBF-AS-8MP-IPC

Dimensions (mm/inch)



Application



Package Information

JBF-AS-FPHW

- 14" vandal-proof housing *1
- Installation instruction *1
- M20 water joint *2
- 1/4/20×8UNC screw *2
- S5.0 wrench *1